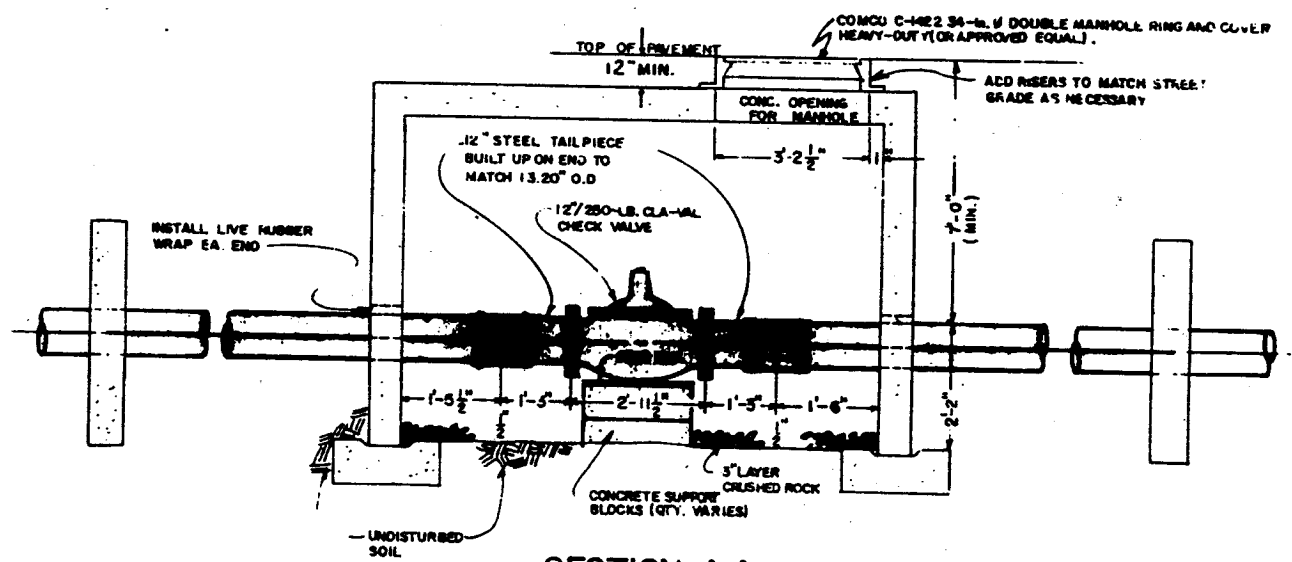
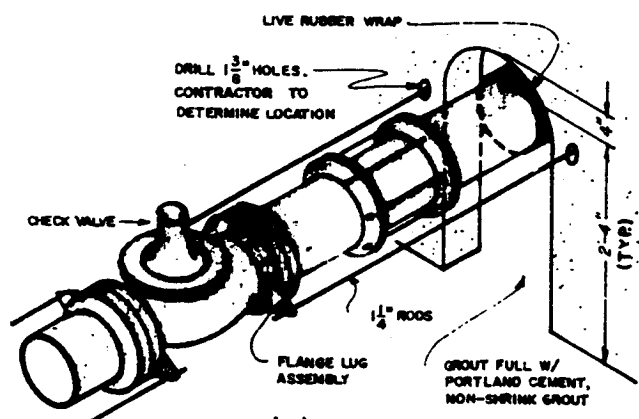


PLAN



SECTION A-A



DETAIL 'A'-Pipe Arch

NOTES

- 1) FOR VALVE INSTALLATIONS LESS THAN 12-INCH SIZE, DIMENSIONS SHALL BE ADJUSTED AT EACH END OF PIT.

CITY OF CRIPPLE CREEK  
 WATER DEPARTMENT

12-INCH SIZE  
 CHECK VALVE STATION

Drawn: L OTTO 11/1/83  
 Approved: NONE  
 Job No.:  
 Revision: ADD. # 1 - 4/84  
 REVISION

24