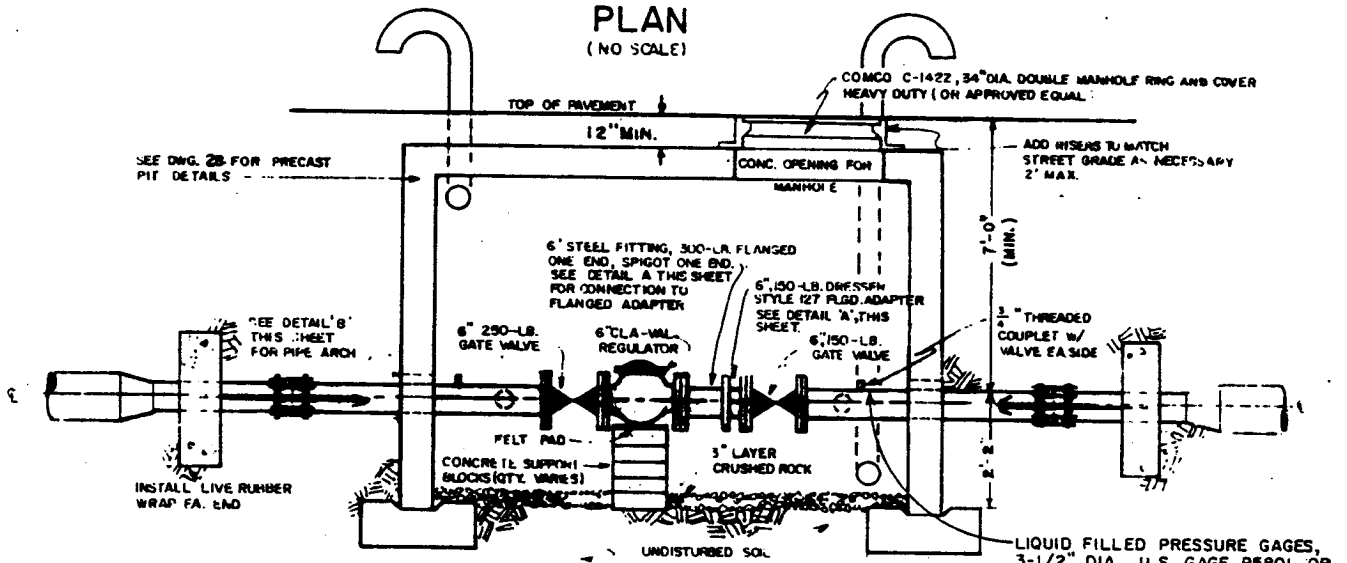
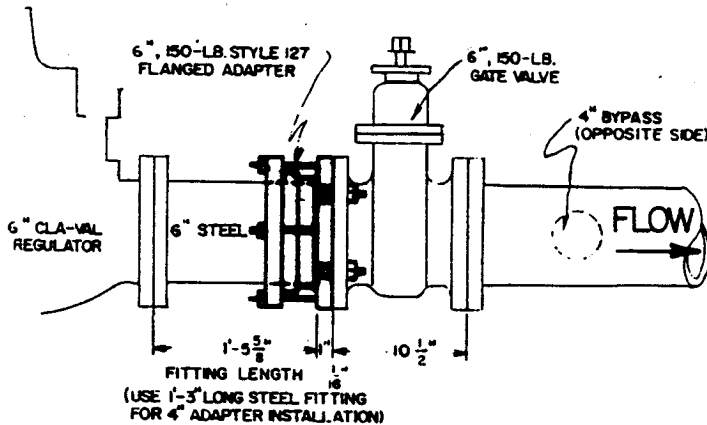


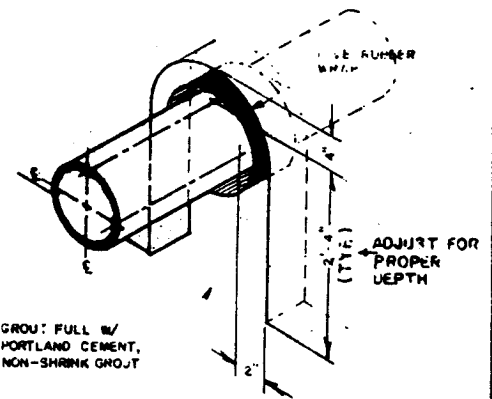
PLAN
(NO SCALE)



ELEVATION
(NO SCALE)



DETAIL 'A'
FLANGED ADAPTER
(NO SCALE)



DETAIL 'B'
PIPE ARCH
(NO SCALE)

PLAN LEGEND

- (A) 5" STYLE 39 DRESSER COUPLING
- (B) 300-LB. FLANGES
- (C) 4" 250-LB. GATE VALVE
- (D) 4" 250-LB. CLA.-VAL. REGULATOR
- (E) 4" STEEL FITTING, 300-LB. FLANGE ONE END, SPIGOT ONE END, 1'-3" LONG
- (F) 4" 150-LB. DRESSER STYLE 127 FLANGED ADAPTER
- (G) 4" 150-LB. GATE VALVE
- (H) CLASS 'E' FLANGES

GENERAL NOTES

- 1) CONCRETE PIT SHALL BE PRECAST UNLESS APPROVED OTHERWISE.
- 2) ALL REGULATOR INSTALLATIONS LARGER THAN 8-INCH SHALL BE SPECIALLY DESIGNED AND APPROVED BY THE DEPARTMENT.
- 3) ALL MATERIAL INSIDE PIT SUPPLIED BY CONTRACTOR.
- 4) FURNISH PRESSURE GAGES.

CITY OF CRIPPLE CREEK
WATER DEPARTMENT

6-INCH SIZE
PRESSURE REGULATOR STATION

DESIGNER: L. OTTO	DATE: 1/83	REVISIONS:
APPROVED:		NONE
ADD. # 1-4/84		27