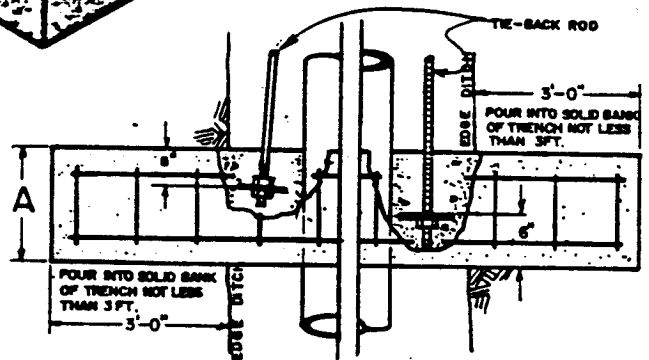


TYPICAL PUSH ANCHOR

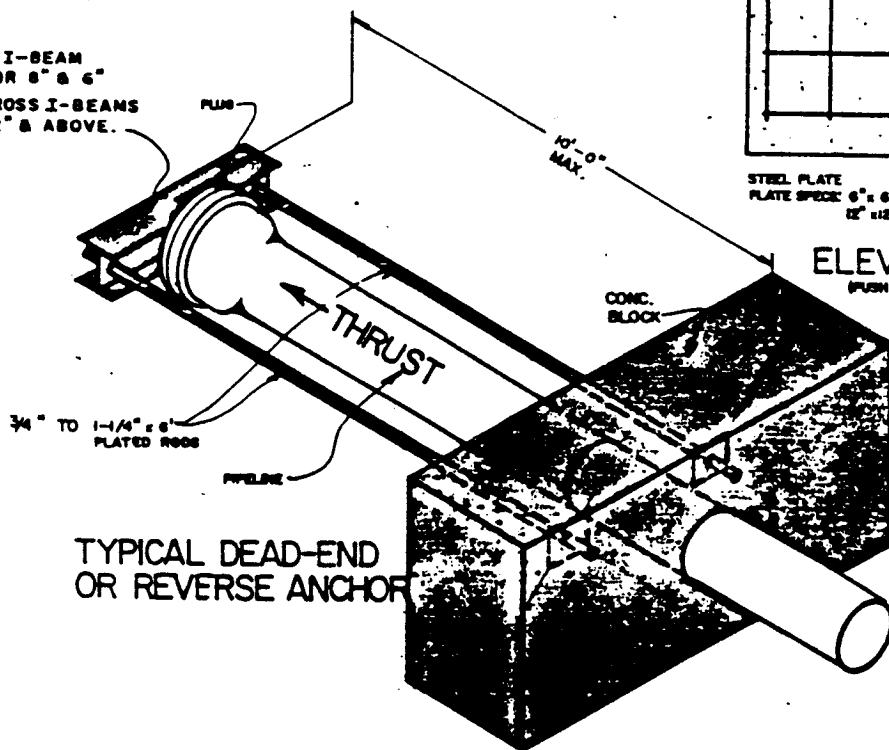


PLAN  
(PUSH ANCHOR)

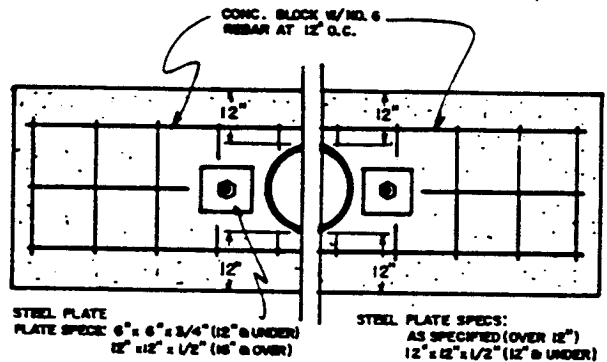
PLAN  
(DEAD-END, OR  
REVERSE ANCHOR)

'A' measurements:  
12" & UNDER = 2'-0"  
OVER 12" = 3'-0"

6" I-BEAM  
FOR 8" & 6"  
CROSS I-BEAMS  
12" & ABOVE.



TYPICAL DEAD-END  
OR REVERSE ANCHOR



ELEVATION  
(PUSH ANCHOR)

ELEVATION  
(DEAD-END, OR  
REVERSE ANCHOR)

CITY OF CRIPPLE CREEK  
WATER DEPARTMENT

REVERSE ANCHOR DETAIL

DESIGN: L.OTTO	DATE: 01/2/83	BY: B.S.	SCALE: NONE
PROJECT NO.	SHEET NO.	TOTAL SHEETS	
JOB NO.	REV. NO.		
REVISED			
APPROVED			17