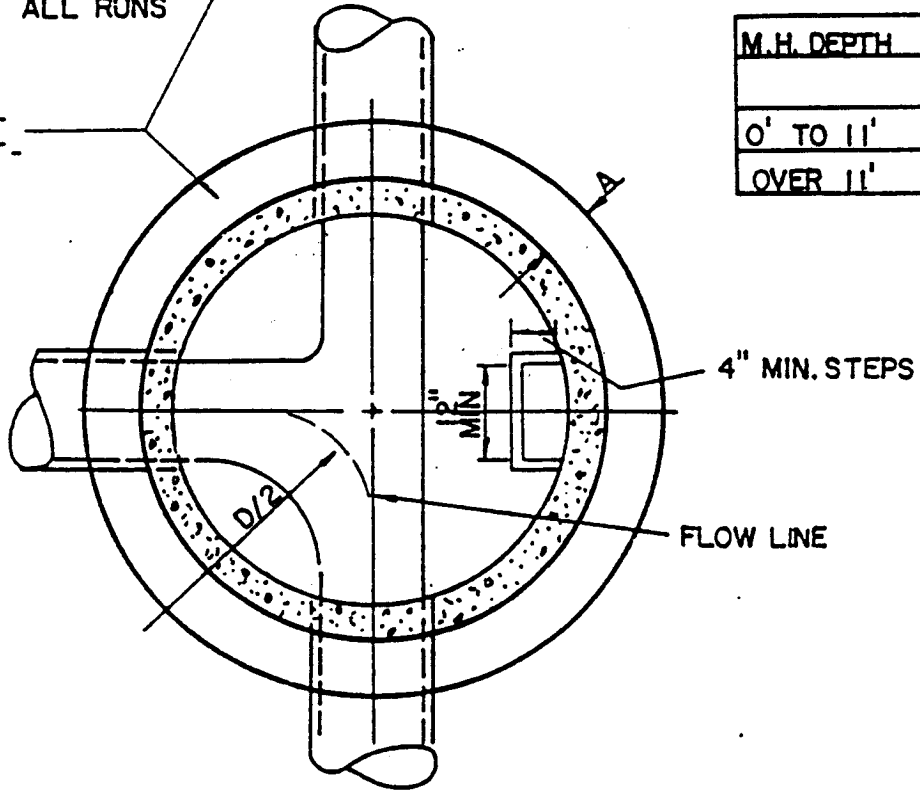


BASE MAY BE PRECAST CONCRETE WITH CAST-IN-PLACE INVERT



M.H. DEPTH	DIMENSION	
	A	B
0' TO 11'	6"	8"
OVER 11'	6"	10"