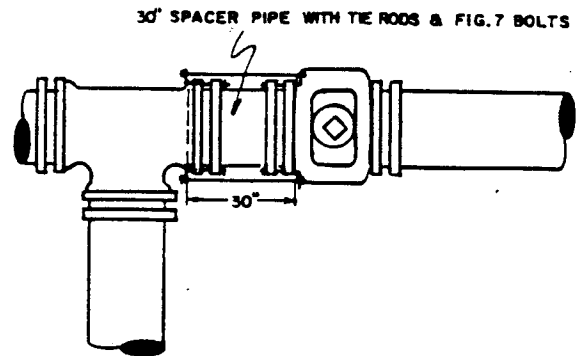
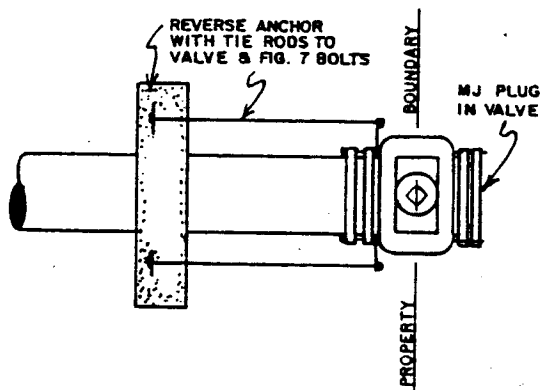


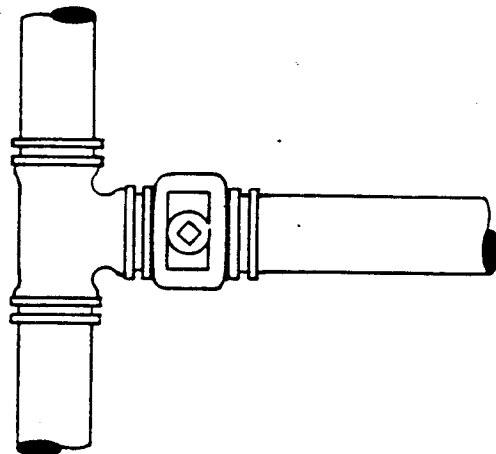
CROSS OR TEE
WITH ANCHOR PIPES



CROSS OR TEE WITH
SPACER PIPE & TIE RODS



AT END OF LINES USE REVERSE
ANCHOR WITH TIE BACK RODS



WITH MJ ANCHOR TEE

GENERAL NOTES :

- 1) ON ANY VALVE INSTALLATION THE INSPECTOR MAY REQUIRE VALVE TO BE ANCHORED BY RODS OR REVERSE ANCHOR. 3/4" IN. ALL THREAD RODS WILL BE USED WITH FIG. 7 BOLTS UNLESS OTHERWISE APPROVED BY THE INSPECTOR.
- 2) ANCHOR PIPE MAYBE SUBSTITUTED FOR SPACER PIPE & RODS.
- 3) THE CONCRETE REVERSE ANCHORS USED SHALL BE SIZED AS INDICATED ON DWG. NO. 17

CITY OF CRIPPLE CREEK WATER DEPARTMENT			
VALVE INSTALLATION AND LOCATION			
DESIGNED L. OTTO	DATE 08/1/83	DRAWN	DATE
APPROVED	DATE	INCHES	SCALE NONE
JOB NO.		WORK NO.	
REVISION			
REVISION			7