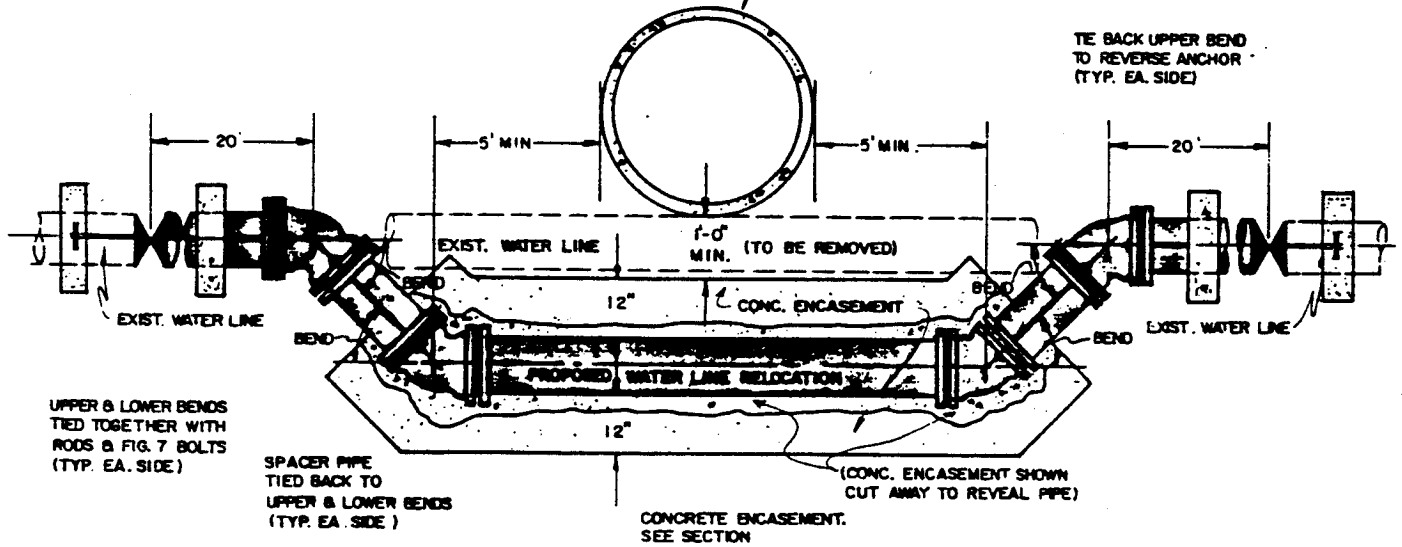


INSTALL CUT-IN VALVE FOR EXIST. MAIN OR INSTALL LINE VALVE FOR NEW INSTALLATION. TIE BACK WITH REVERSE ANCHOR ( TYP. EA. SIDE ).

(CONC. ENCASEMENT SHOWN CUT AWAY TO REVEAL PIPE)

PLAN

UTILITY, STORM SEWER OR DRAINAGE STRUCTURE



TIE BACK UPPER BEND TO REVERSE ANCHOR (TYP. EA. SIDE)

UPPER & LOWER BENDS TIED TOGETHER WITH RODS & FIG. 7 BOLTS (TYP. EA. SIDE)

SPACER PIPE TIED BACK TO UPPER & LOWER BENDS (TYP. EA. SIDE)

CONCRETE ENCASEMENT. SEE SECTION

(CONC. ENCASEMENT SHOWN CUT AWAY TO REVEAL PIPE)

ELEVATION

CITY OF CRIPPLE CREEK  
WATER DEPARTMENT

LOWERING DETAIL

DRAWN L. OTTO	DATE 12-12-62	BY R. S.	DATE
APPROV'D	DATE	INCHES 1/2	SCALE NONE
JOB NO.	M.B.S. NO.		
REVISION			
REVISION			